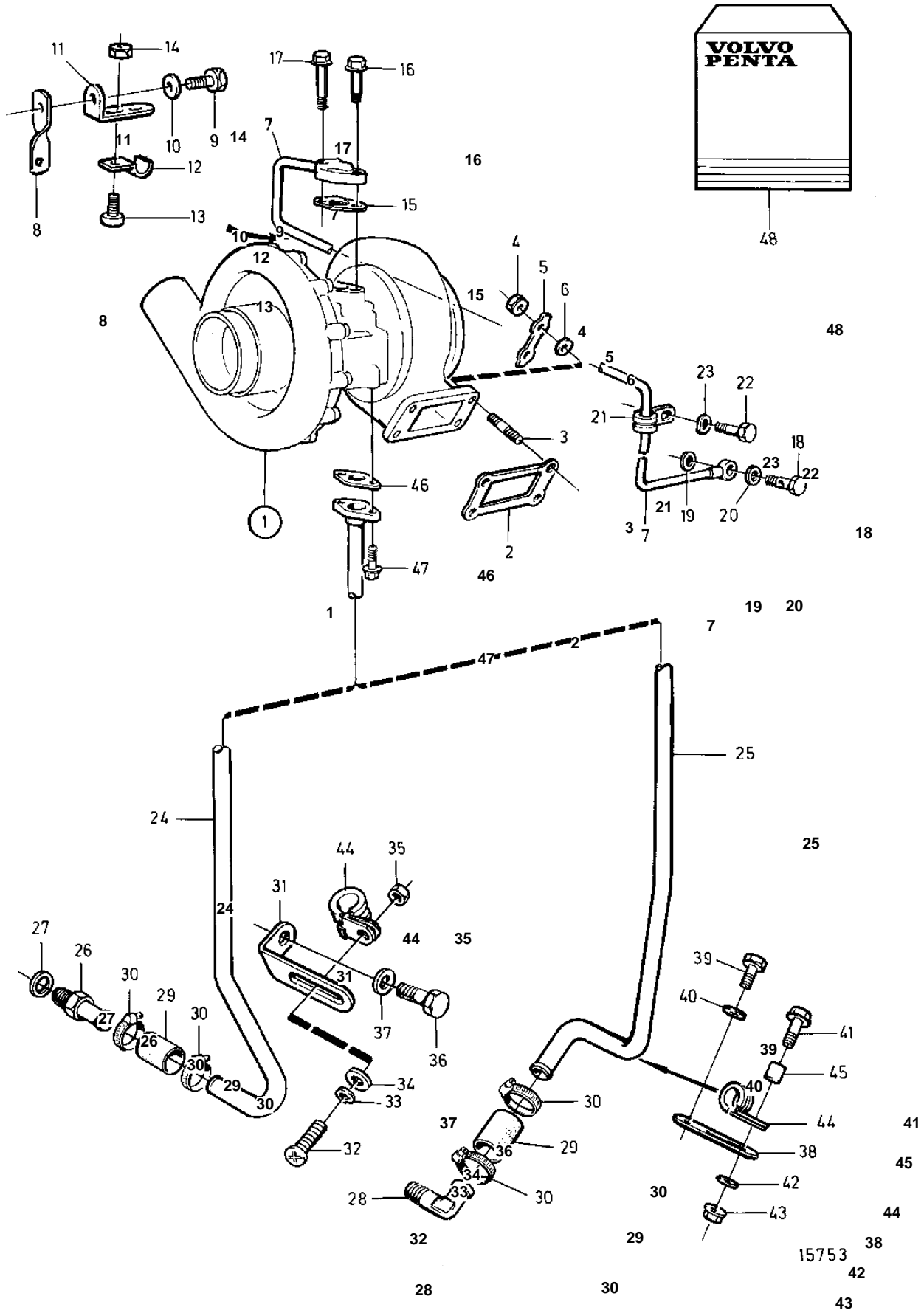


TD1030VE



## TD1030VE

REF	PART NO.	QTY	DESCRIPTION	SEE SEC.	NOTES
1				1308	
	865812	1	Turbocharger		
	3802077	1	Turbocharger, exch, exch		
				2107	
2	8194365	1	Gasket		(422779), Included in gasket kit for connecting of turbocharger.
3	8194545	4	Stud		(468892)
4	478346	4	Nut		
7	865763	1	Oil feed pipe		STD
	422952	1	Oil feed pipe		For turbo mounted low.
8	1545675	1	Bracket		FOR 422952
9	955523	1	Screw		FOR 422952
10	941907	1	Spring washer		FOR 422952
11	965559	1	Bracket		
12	968200	1	Clamp		
13	950046	1	Screw		
14	955825	1	Nut		
15	420641	1	Gasket		Included in gasket kit for connecting of turbocharger.
16	946173	1	Flange screw		L=20mm
17	945444	1	Flange screw		L =25mm, FOR 849612,
	946173	1	Flange screw		L=20mm, FOR 422952
18	942007	1	Hollow screw		
19	942703	1	Gasket		Included in gasket kit for connecting of turbocharger.
20	11998	1	Gasket		Included in gasket kit for connecting of turbocharger.
21	952626	1	Clamp		
22	950045	1	Screw		
23	941906	1	Spring washer		
24	3825769	1	Oil return pipe		STD
25	1545084	1	Oil return pipe		For turbo mounted low.
26	941875	1	Nipple		
27	18677	1	Gasket		
28	479959	1	Elbow nipple		
29	466328	1	Rubber hose		
30	943474	2	Hose clamp		
31	965560	1	Bracket		
32	950046	1	Screw		
33	941906	1	Spring washer		
34	955893	1	Washer		
35	955825	1	Nut		
36		1	Screw, fuel inj. pump bracket		
37		1	Washer, fuel inj. pump bracket		
38	965537	1	Bracket		
39	940100	1	Screw		
40	941906	1	Spring washer		
41	945358	1	Flange screw		
42	955893	1	Washer		
43	945407	1	Flange nut		
44	952632	1	Clamp		
45	422217	2	Spacer sleeve		
46	420643	1	Gasket		Included in gasket kit for connecting of turbocharger.
47	965215	2	Screw		
48	876354	1	Gasket kit, turbo connect.		